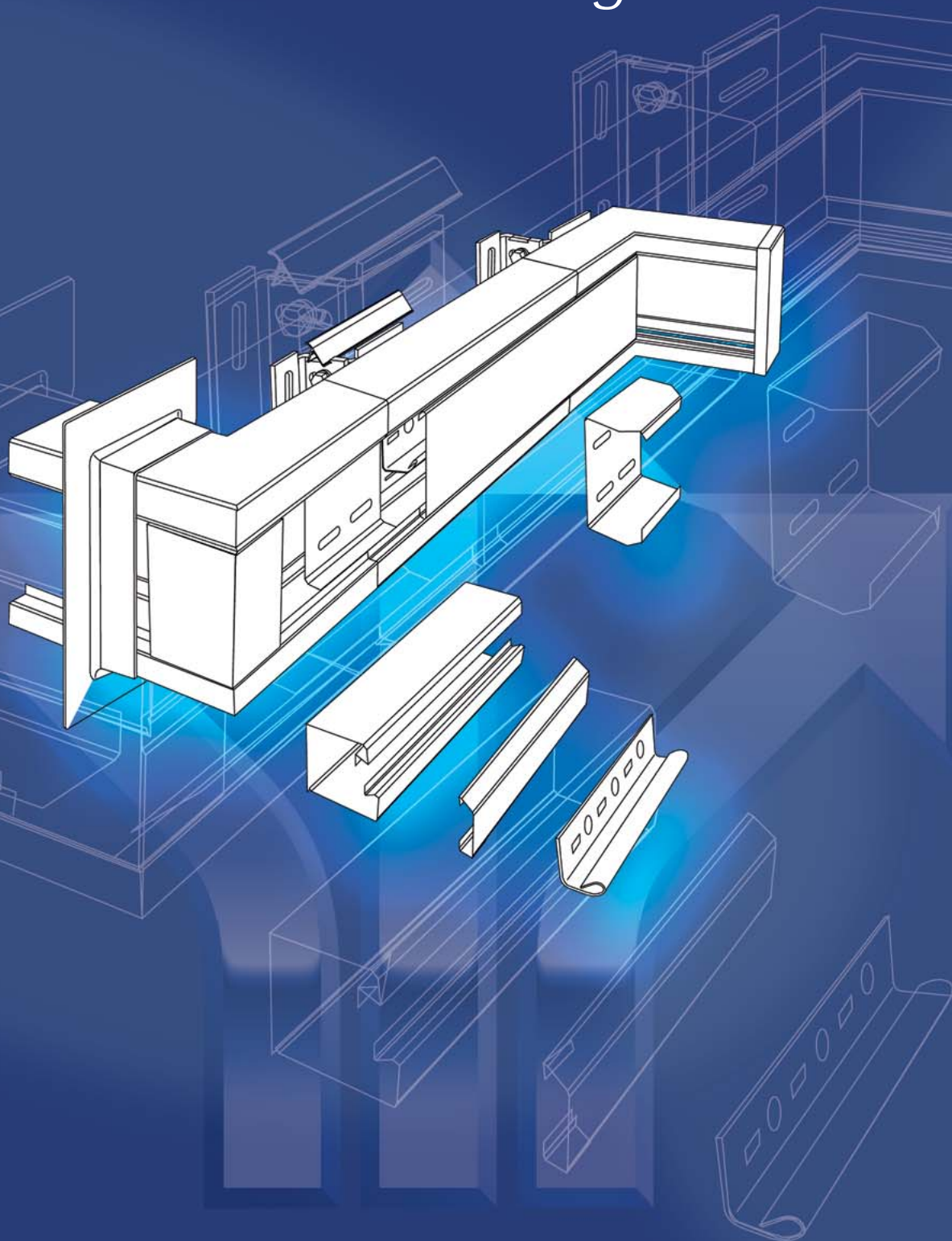


Insteel

Cable trunkings



 **MEKA**

www.meka.net

INSTEEL Trunking system



Usage

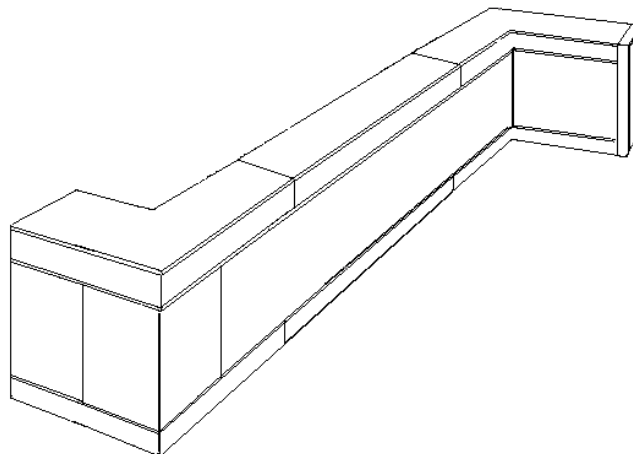
INSTEEL trunking systems are used in electrical installations in offices, schools, hospitals, business buildings, warehouses etc. places where made of steel solutions are requested. Insteel conduits are suitable for installation in dry or low humid environments.

Material and surface treatments

Insteel conduits and accessories are made of hot galvanised or plastic coated steel sheet. Both galvanised (natural tone) and white coloured conduits are available. The cable conduits and covers are equipped with a plastic film.

Instrument boxes

Nearly all possible instrument boxes on the market can be used in connection with the trunking system, which means that the fixtures suitable for any environment can be chosen freely.



Dimensions

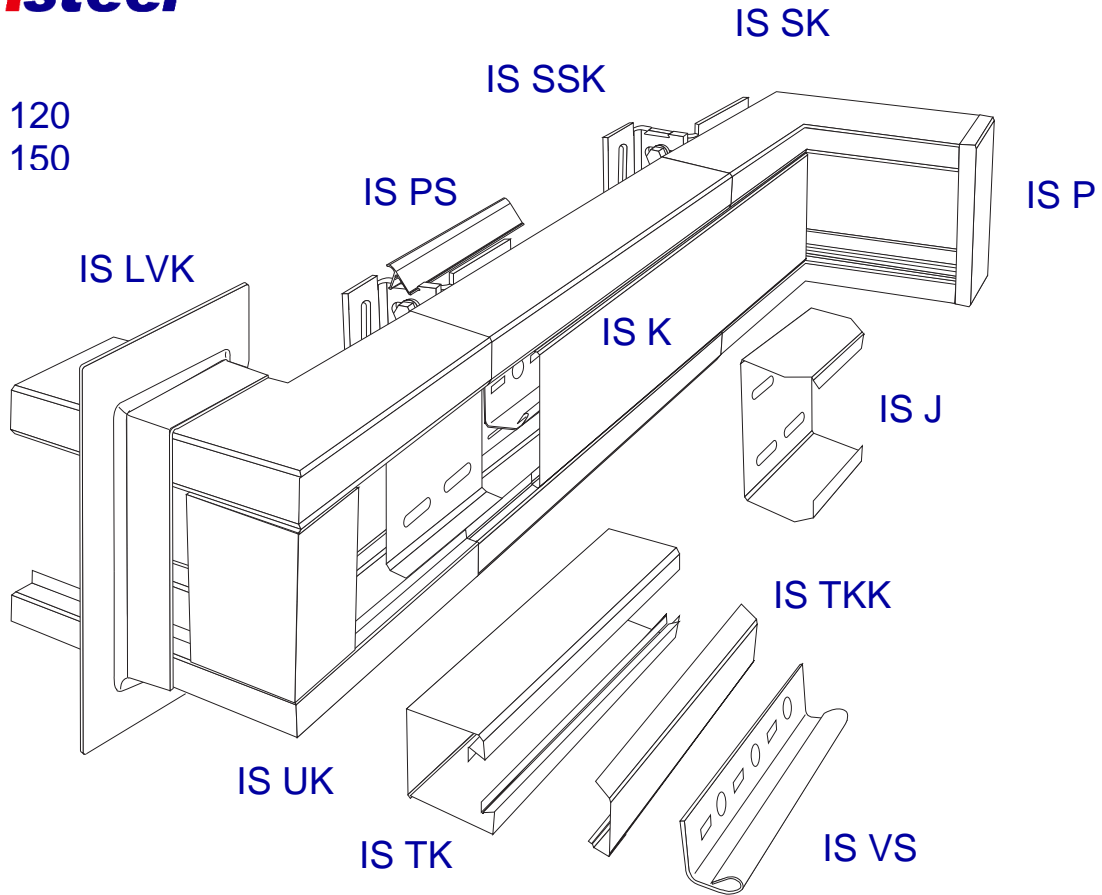
Standard delivery length of trunkings, covers, partitions and gratings is 3 meters.
Height of conduits and covers is: IS 120 – 120 mm, IS 150 – 150 mm
Height of telecommunication conduit TK is 37 mm
Depth of conduits is 61 mm

Insteel conduits and accessories are manufactured on request!



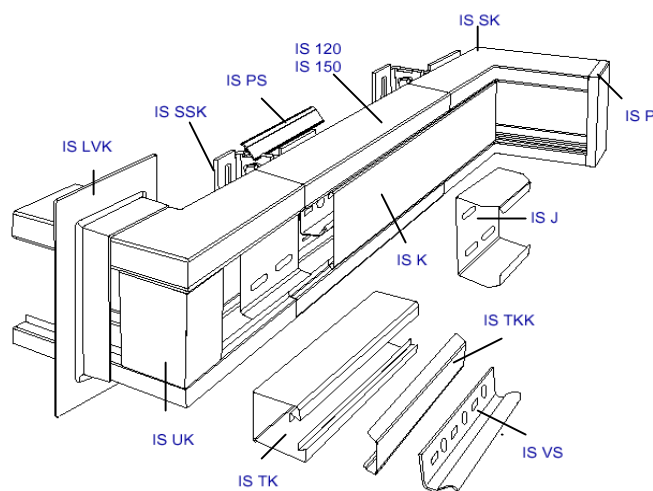
Insteel

IS 120
IS 150



CABLE TRUNKINGS

Cable trunkings INSTEEL



SSTL Code	Product	Description	Sales unit	Package
1429201	IS 120	Conduit	m	24
1429202	IS 150	Conduit	m	18
1429208	IS TK	Conduit	m	36
1429205	IS K	Cover	m	18
1429211	IS TTK	Cover	m	18
1429217	IS SK-120	Inside corner	pc	2
1429218	IS SK-150	Inside corner	pc	2
1429221	IS UK-120	Outside corner	pc	2
1429222	IS UK-150	Outside corner	pc	2
1429229	IS J-120	Joint	pc	10
1429230	IS J-150	Joint	pc	10
1429233	IS SSK	Wall bracket	pc	10
1429330	IS SSK-40	Wall bracket	pc	10
1429332	IS SSK-75	Wall bracket	pc	10
1429334	IS SSK-100	Wall bracket	pc	10
1429212	IS AT	Installation support	pc	32
1429213	IS KML	Ground connector	pc	100
1429225	IS P-120	End piece	pc	10
1429226	IS P-150	End piece	pc	10
1429223	IS LVK-120	Trunking collar	pc	6
1429224	IS LVK-150	Trunking collar	pc	6
1429336	IS PP-120	Cover	pc	10
1429337	IS PP-150	Cover	pc	10
1429214	IS VS	Partition	pc	18
1429231	IS PS	Cover grating	m	18
1449110	RS IS SSK	Bolt set	pc	20
1449118	RS IS J	Bolt set	pc	20

Insteel conduits and accessories are manufactured on request!

