

Instal[®]

Socket Pole

Socket poles



 **MEKA**

www.meka.net

2/2004

Instal[®]

Socket pole



Instal SP socket poles are designed for modern working environments, where versatility and flexibility are required in the electrification of various working areas.

The use of the Instal SP socket pole system enables a fast and sophisticated solution. It is flexible to change working areas according to needs and changes can be carried out fast and cost-effectively.

Instal SP socket poles are made of aluminium and they are delivered ready for installation with the desired composition.

Socket poles without any fixtures are available on request also.

Surface treatment

Instal Socket Poles are powder coated. The standard colours are white RAL 9010 and grey RAL 9006. Other colours are also available on request.

Design

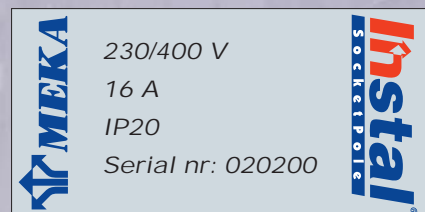
The Instal SP socket poles have stylish and functional shapes. Thanks to their finish the Instal SP socket poles can be placed in elegant surroundings.

Fixtures

Fixtures of several different fixture suppliers can be used in the Instal SP socket poles, so you are not bound to a single supplier. Connectors of several data transfer systems' supplies can be used in the fixtures.

Identification

Each Instal SP socket pole is given an individual serial number. The serial number enables the identification of a socket pole as well as the tracing of its production and testing documents.



Testing

Each socket pole is tested for its electrical safety and data network operation. The test results are stored at the factory, and if necessary, the client can be provided with them on the basis of the serial number.

Functional logistics

An extensive delivery network enables fast and simple transport in Finland and abroad. Logistics at the factory in Oulu, together with intermediate depots, create good conditions for the availability and high delivery certainty of Meka products. Our products come in high quality and durable packages, so that you receive them in the same condition as they leave our factory.



SOCKET POLES

INSTAL SP S socket pole



The frame of Instal SP S socket pole is made of a single aluminium profile and thus the fixtures can be mounted to any given height. The fixtures and mounting height are simple to change according to needs. The Instal SP S socket pole has a spacious shape.

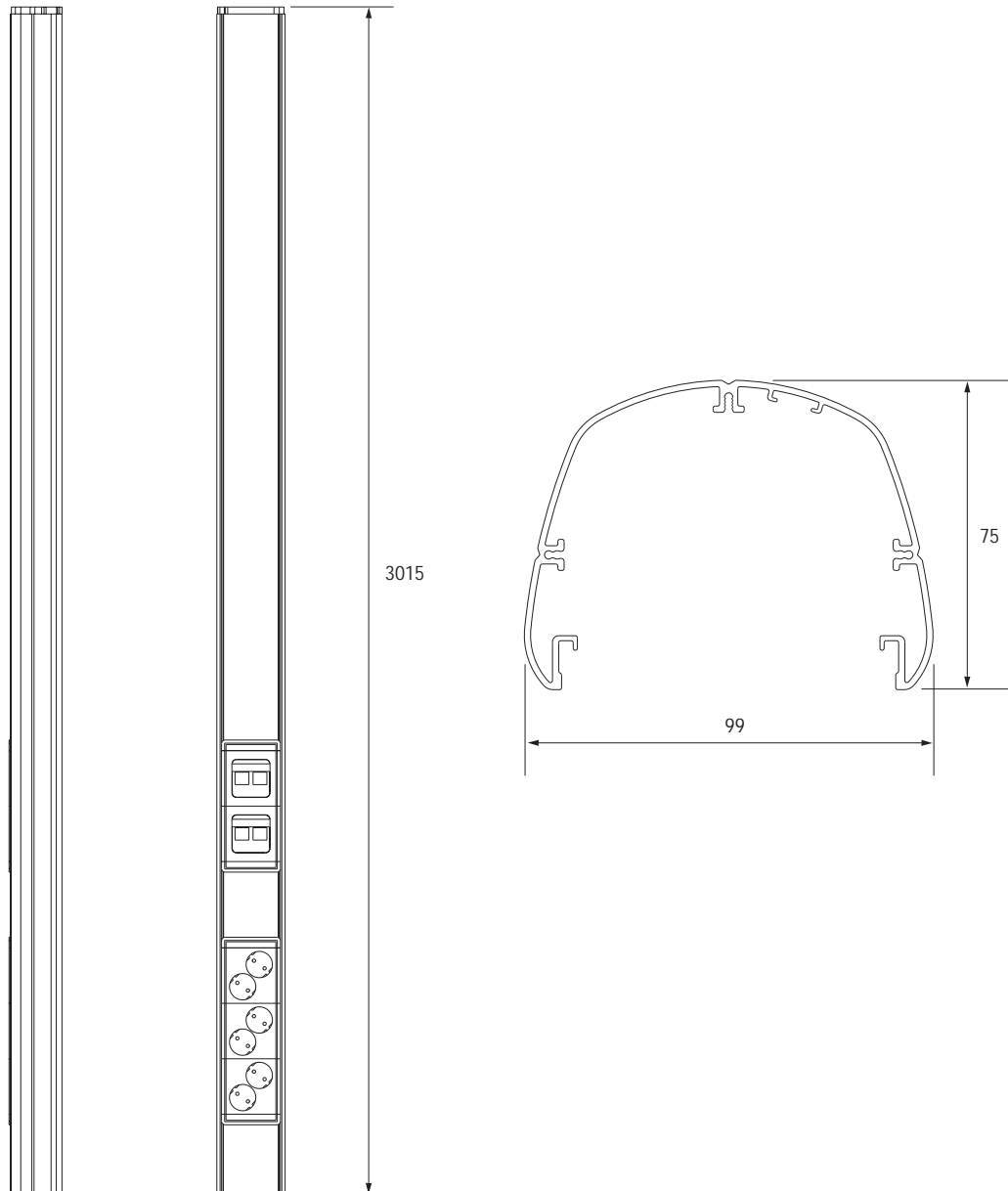
The Instal SP S socket poles are delivered ready for installation with the desired composition.

There are several alternatives when installing the Instal SP S socket pole:

- fastened to a heavy floor base
- fastened to a table
- fastened to a cable ladder
- fastened to a cable tray
- fastened to a lighting track
- fastened in between the floor and ceiling.

SOCKET POLES

INSTAL SP S socket pole



The standard length of the Instal SP S is 3015 mm. We also provide flexible deliveries for other lengths. The standard colours are white RAL 9010 and grey RAL 9006. Other colours are available upon request.

When specifying the length of the socket pole the effect of installation components on the length should be considered:

Heavy floor base (leg)	30 mm
Ceiling fastening	30... 80 mm
Cable shield tube fastening	30 mm

SOCKET POLES

INSTAL SP 1 socket pole



Instal SP 1 single-faced socket pole, which comprises a fixture and a feed frame. The fixtures are easy to change according to need. The Instal SP 1 has a slender top part and spacious fixture part.

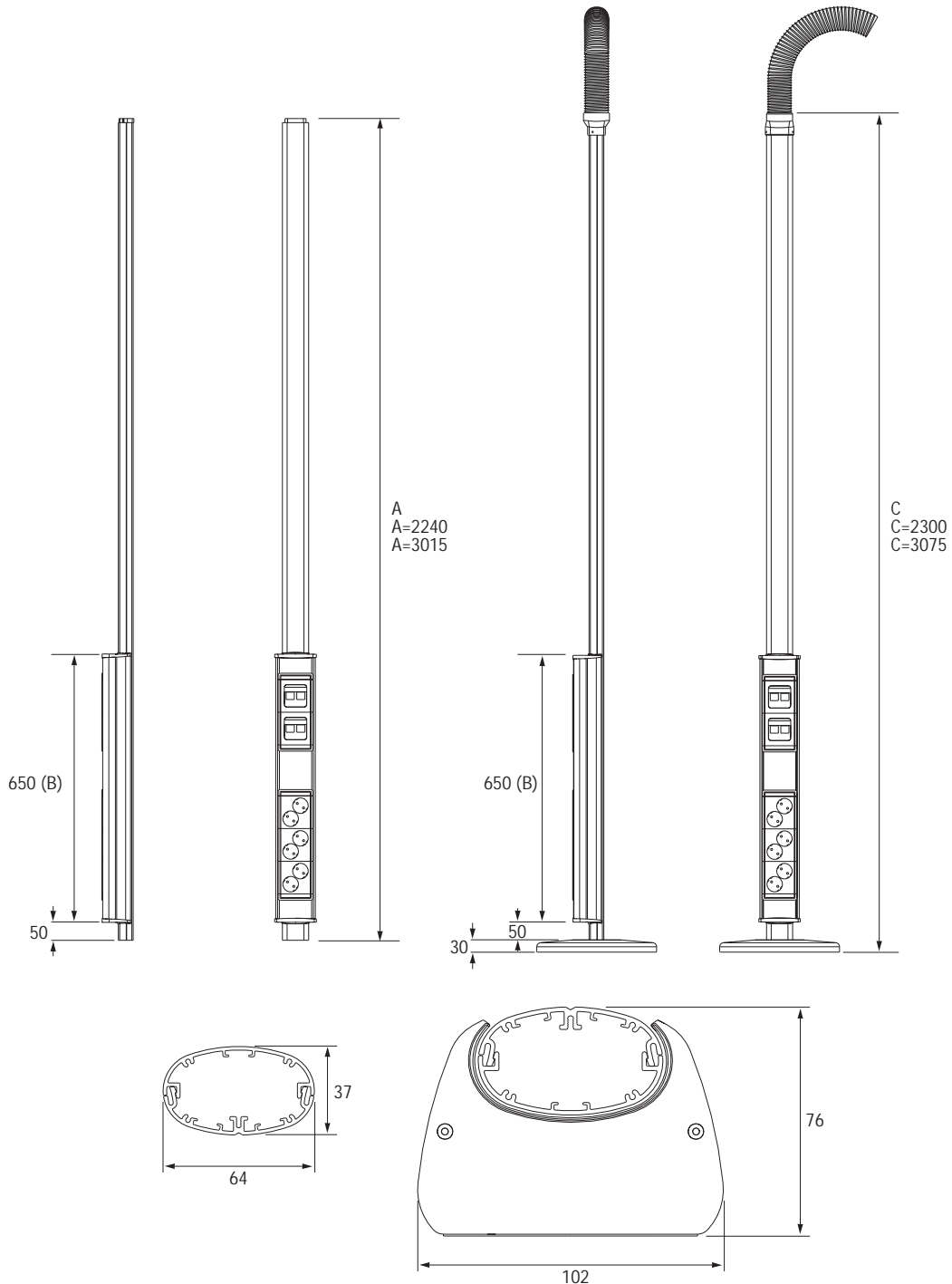
Instal SP 1 socket poles are delivered ready for installation with the desired composition.

There are several alternatives when installing the Instal SP 1 socket pole:

- fastened to a heavy floor base
- fastened to a table
- fastened to a cable ladder
- fastened to a cable tray
- fastened to a lighting track
- fastened between the floor and ceiling.

SOCKET POLES

INSTAL SP 1 socket pole



The standard lengths of the Instal SP 1 socket pole frames are 2240 mm ja 3015 mm (A). The length of the fixture is specified by the fixtures, the standard length being 650 mm (B). We also provide flexible deliveries for other lengths. The standard colours are white RAL 9010 and grey RAL 9006. Other colours are available on request.

When specifying the length of the socket pole, the effect of installation components on the length should be considered.

Heavy floor base	30 mm
Ceiling fastening	30 ... 80 mm
Cable shield tube fastening	30 mm

SOCKET POLES

INSTAL SP 2 socket pole



Instal SP 2 double-faced socket pole, which comprises two fixtures and a feed frame. The socket pole can be fitted for either two or four workstations. The fixtures are easy to change according to need. The Instal SP 2 has a slender top part and spacious fixture part.

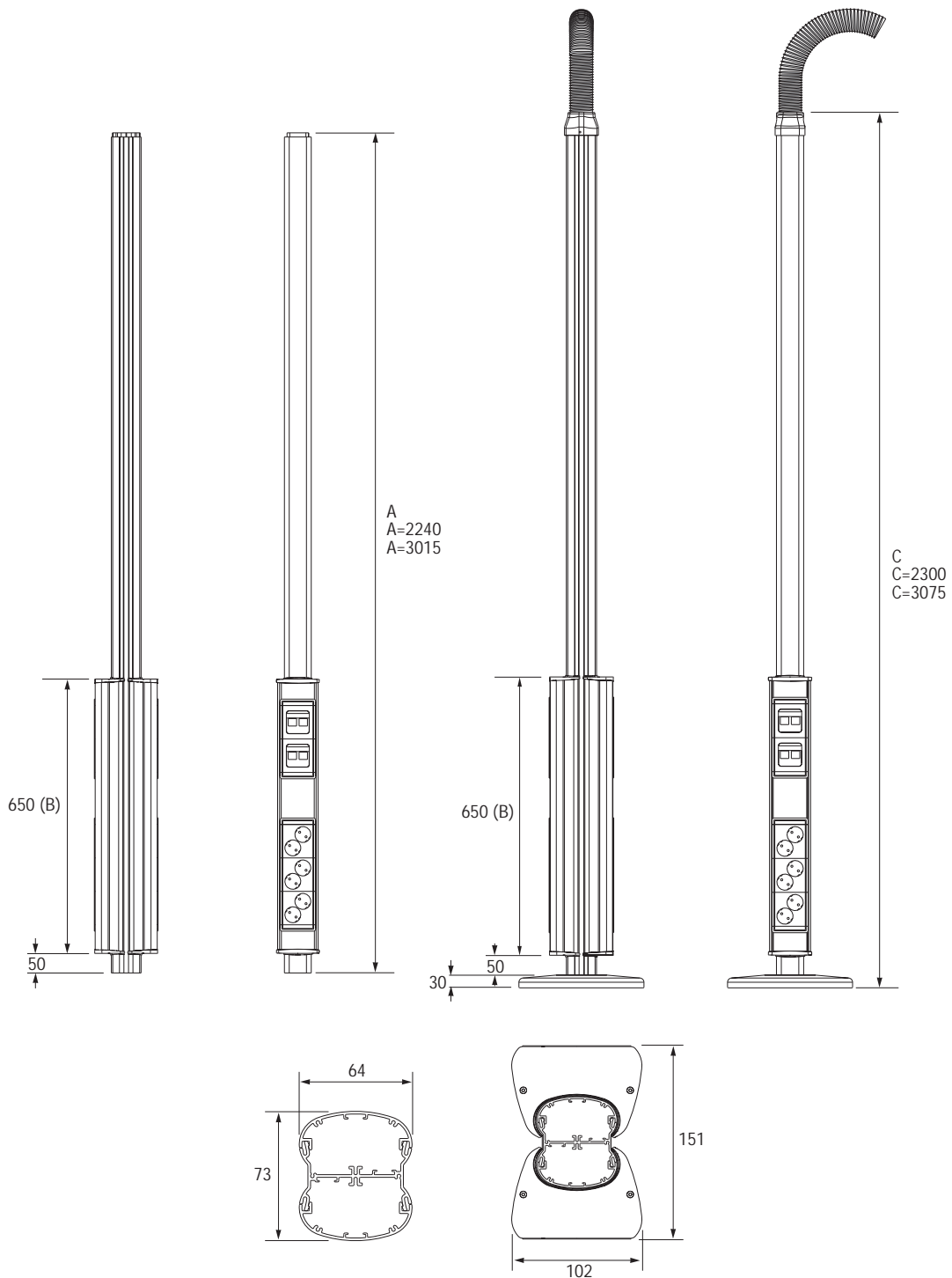
Instal SP 2 socket poles are delivered ready for installation with the desired composition.

There are several alternatives when installing the Instal SP 2 socket pole:

- fastened to a heavy floor base
- fastened to a table
- fastened to a cable ladder
- fastened to a cable tray
- fastened to a lighting track
- fastened between the floor and ceiling.

SOCKET POLES

INSTAL SP 2 socket pole



The standard lengths of the Instal SP 2 socket pole frames are 2240 mm ja 3015 mm (A). The length of the fixture is specified by the fixtures, the standard length being 650 mm (B). We also provide flexible deliveries for other lengths. The standard colours are white RAL 9010 and grey RAL 9006. Other colours are available on request.

When specifying the length of the socket pole, the effect of installation components on the length should be considered.

Heavy floor base	30 mm
Ceiling fastening	30 ... 80 mm
Cable shield tube fastening	30 mm

FEEDRE POLES

INSTAL SP P feeder pole



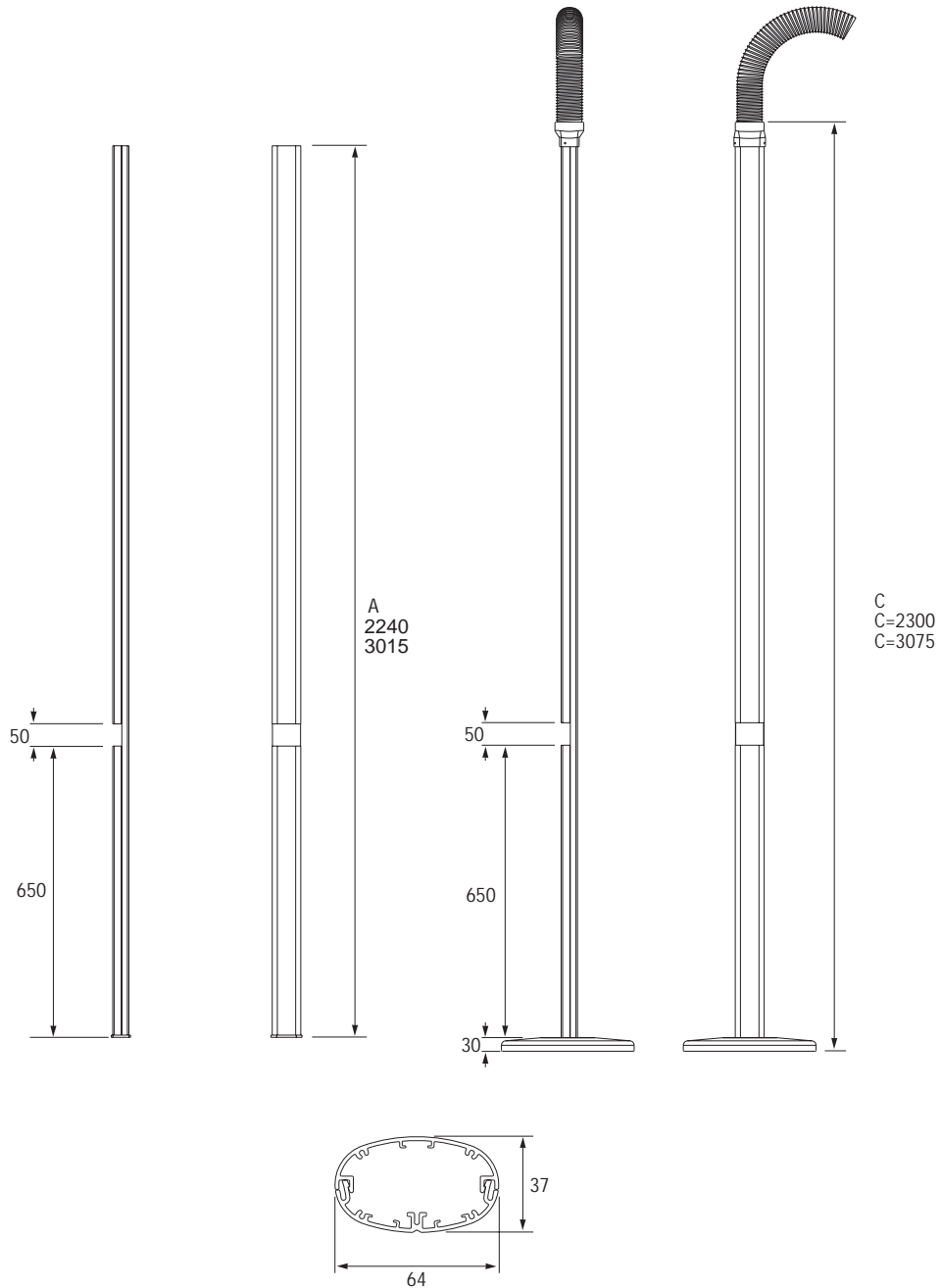
The Instal SP P feeder pole is used together with the Instal SP C socket centre. The feed cables are lead to the socket centre in the service poles.

There are several alternatives when installing the Instal SP P feeder pole:

- fastened to a heavy floor base
- fastened to a table
- fastened to a cable ladder
- fastened to a cable tray
- fastened to a lighting track
- fastened between the floor and ceiling.

FEEDER POLES

INSTAL SP P feeder pole



The standard lengths of the Instal SP P feeder poles are 2240 mm ja 3015 mm (A). The standard height of the cable feed opening from the bottom edge of the frame is 650 mm. We also provide flexible deliveries for other lengths. The standard colours are white RAL 9010 and grey RAL 9006. Other colours are available on request.

When specifying the length of the feeder pole, the effect of installation components on the length should be considered.

Heavy floor base	30 mm
Ceiling fastening	30 ... 80 mm
Cable shield tube fastening	30 mm

SOCKET CENTRES

INSTAL SP C socket centre



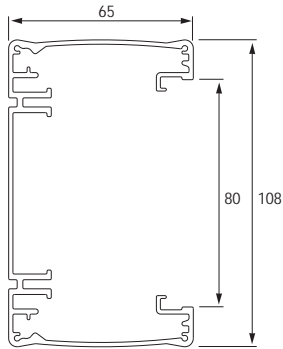
The Instal SP C socket centre is used together with the Instal SP P service pole. The feed cables are lead to the socket centre in the service pole. The socket centre can be installed, for example, under the worktable, and it can be provided with the desired fixtures.

The length of the Instal SP C socket centre is specified according to the fixtures and installation location.

SOCKET CENTRES

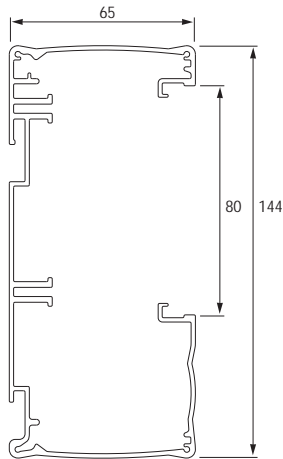
INSTAL SP C socket centre

Standard profile

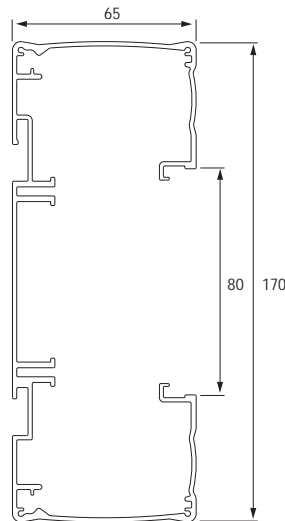


INSTAL 108

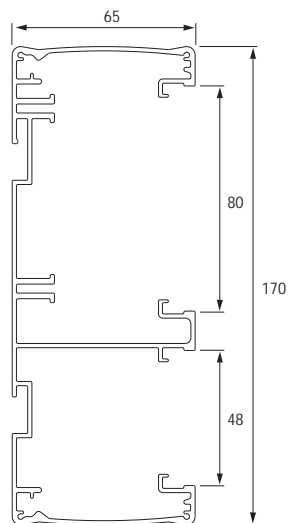
Alternative profiles



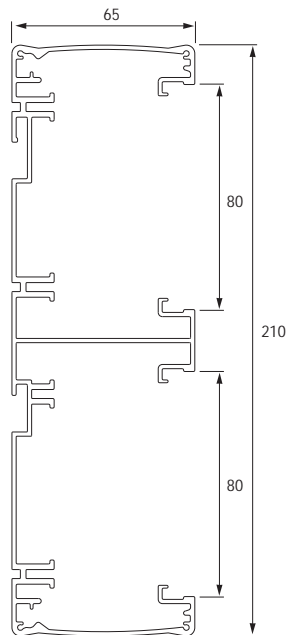
INSTAL 144



INSTAL 170-1



INSTAL 170-2

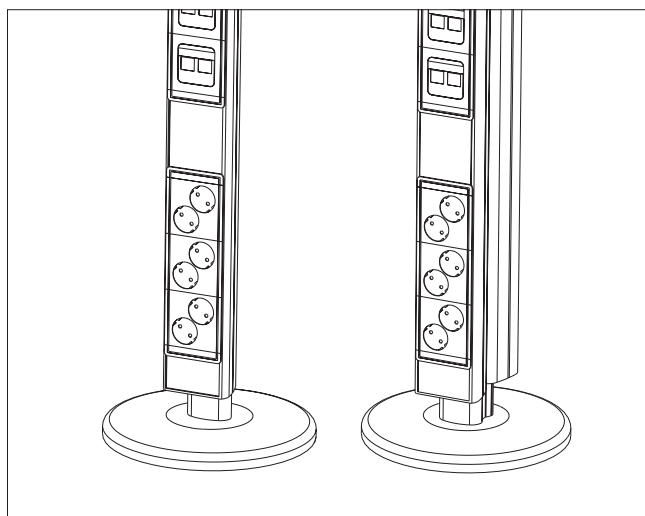
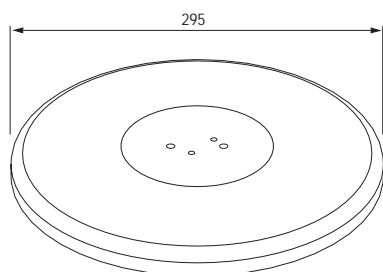


INSTAL 210-2

The above-mentioned profiles are used in Instal SP C socket centres.

ACCESSORIES

INSTAL SP FS - floor base

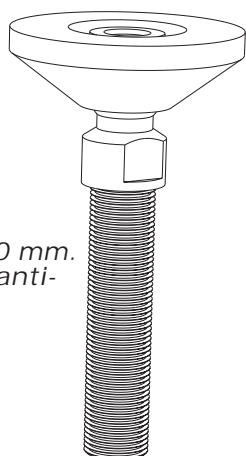


Includes 2 M6 x 30 allen key screws

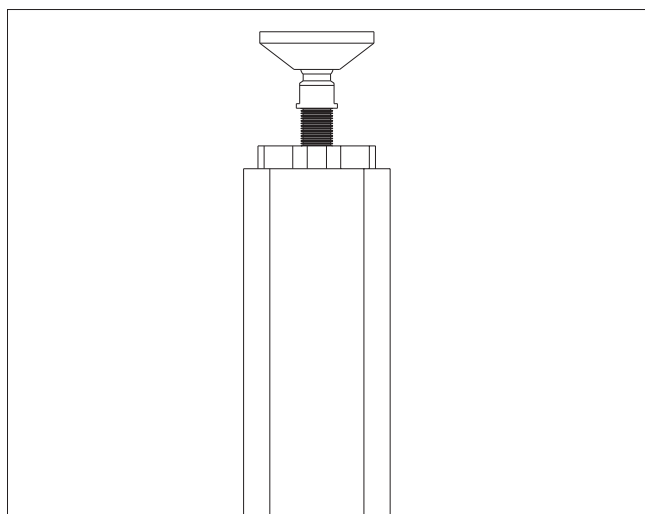
Product	SSTL number	Package pc	Weight kg/pc	Colour
---------	-------------	------------	--------------	--------

INSTAL SP FS M	14 295 35	1	13,5	White
INSTAL SP FS AD	14 295 36	1	13,5	Grey

INSTAL SP CB - ceiling fastening



Adjustment allowance 50 mm.
Includes an anti-slip device.

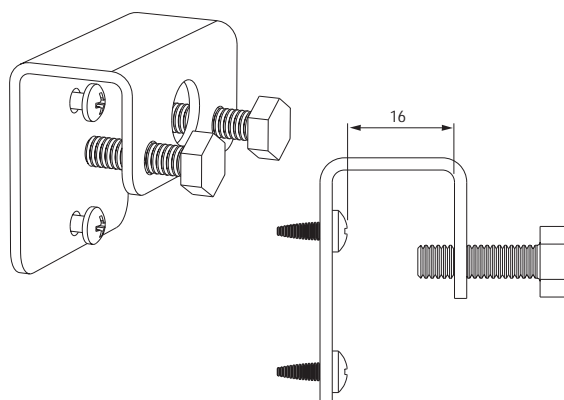


Product	SSTL number	Package pc	Weight kg/pc	Colour
---------	-------------	------------	--------------	--------

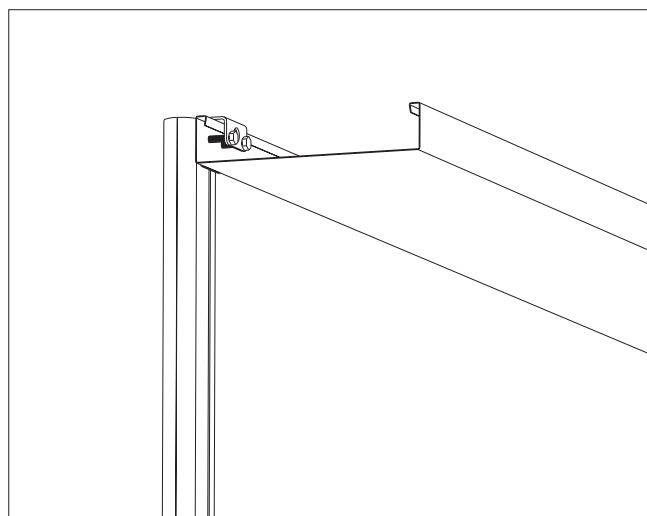
INSTAL SP CB M	14 295 37	1	0,1	White
INSTAL SP CB AD	14 295 38	1	0,1	Grey

ACCESSORIES

INSTAL SP LB - tray fastening



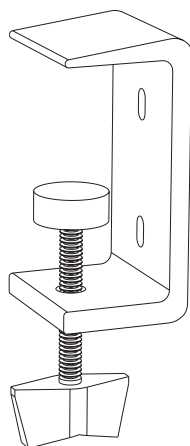
Includes fastening screws



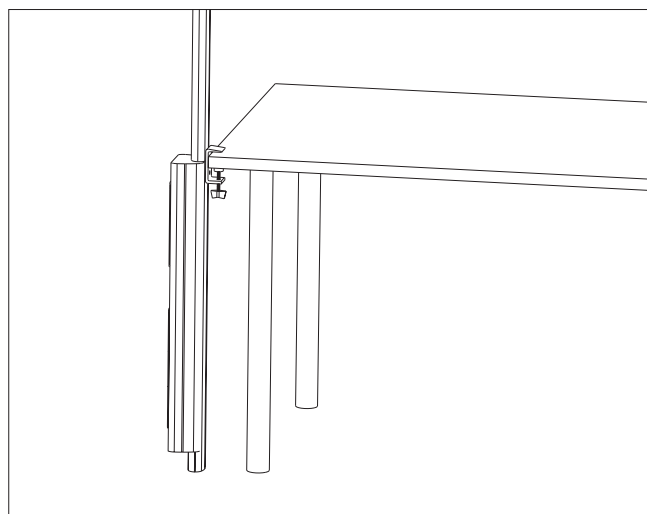
Product	SSTL number	Package pc	Weight kg/pc	Colour
---------	-------------	------------	--------------	--------

INSTAL SP LB M	14 295 39	1	0,1	White
INSTAL SP LB AD	14 295 40	1	0,1	Grey

INSTAL SP TB - table fastening



Includes fastening screws

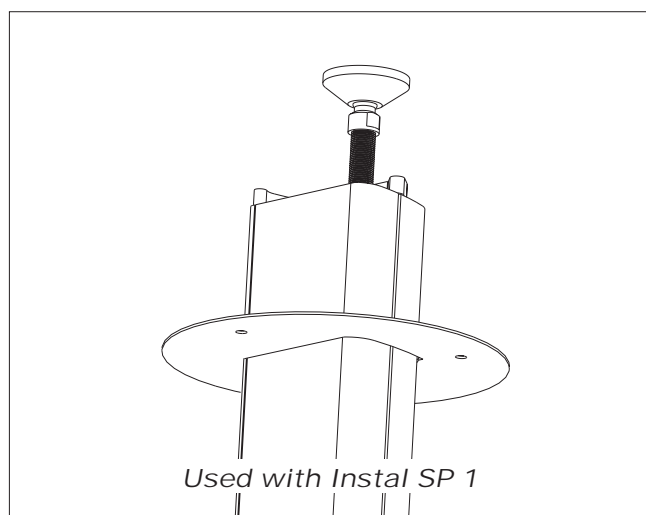
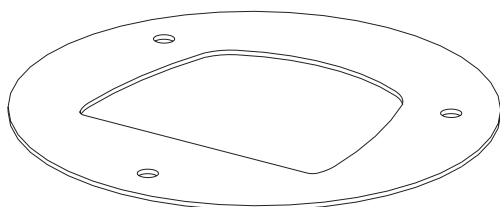


Product	SSTL number	Package pc	Weight kg/pc	Colour
---------	-------------	------------	--------------	--------

INSTAL SP TB M	14 295 41	1	0,1	White
INSTAL SP TB AD	14 295 42	1	0,1	Grey

ACCESSORIES

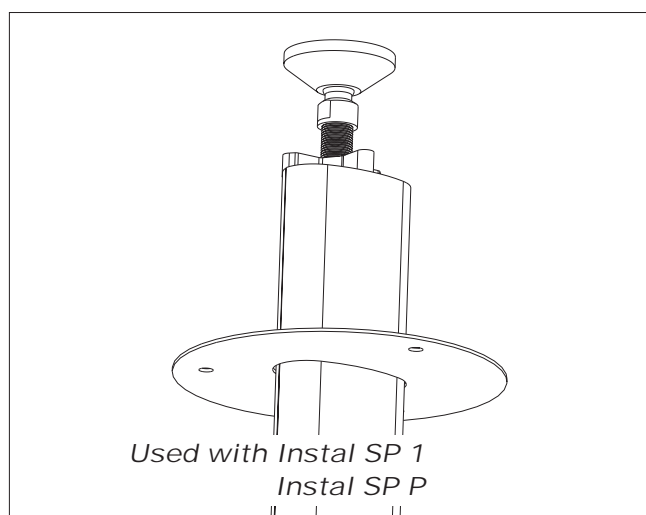
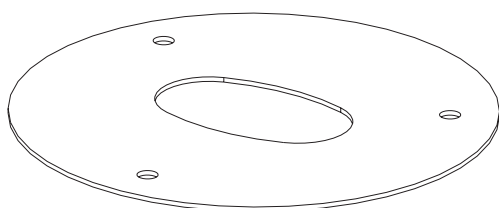
INSTAL SP TC S - trunking collar



Product	SSTL number	Package pc	Weight kg/pc	Colour
---------	-------------	------------	--------------	--------

INSTAL SP TC S M	14 295 45	1	0,1	White
INSTAL SP TC S AD	14 295 46	1	0,1	Grey

INSTAL SP TC 1 - trunking collar

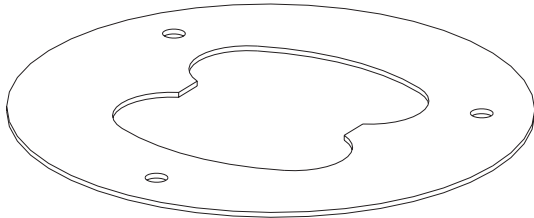


Product	SSTL number	Package pc	Weight kg/pc	Colour
---------	-------------	------------	--------------	--------

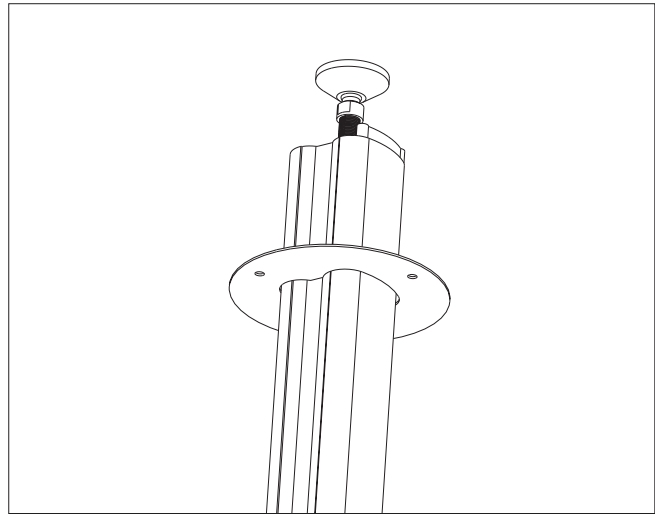
INSTAL SP TC 1 M	14 295 47	1	0,1	White
INSTAL SP TC 1 AD	14 295 48	1	0,1	Grey

ACCESSORIES

INSTAL SP TC 2 - trunking collar



Used with Instal SP 2

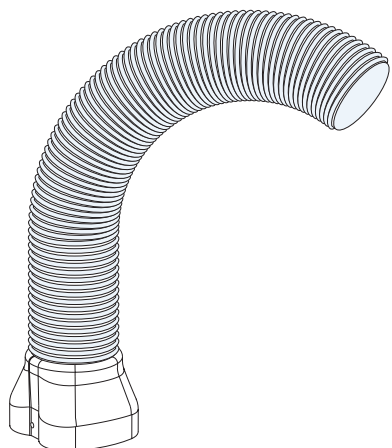


Product	SSTL number	Package pc	Weight kg/pc	Colour
---------	-------------	------------	--------------	--------

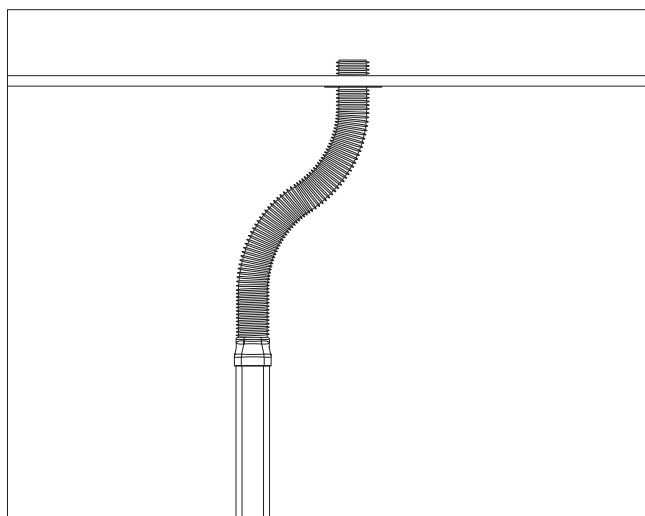
INSTAL SP TC 2 M	14 295 49	1	0,1	White
INSTAL SP TC 2 AD	14 295 50	1	0,1	Grey

ACCESSORIES

INSTAL SP WP - cable shield



The standard length of SP WP is 1,5 m



Product	SSTL number	Package pc	Weight kg/pc	Usage
---------	-------------	------------	--------------	-------

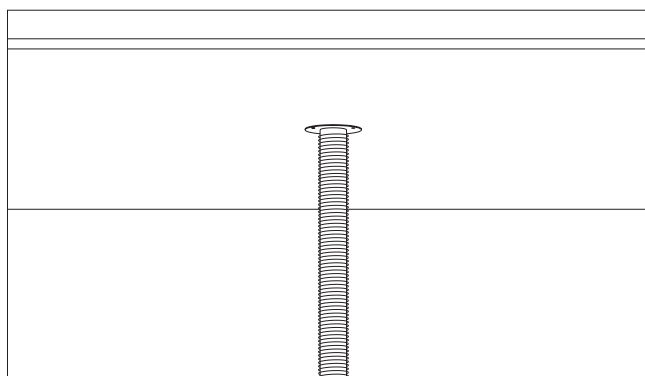
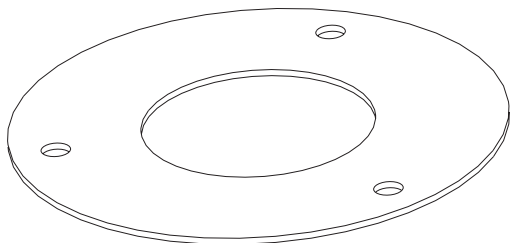
White

INSTAL SP WP S M	14 295 65	1	0,4	INSTAL SP S
INSTAL SP WP 1 M	14 295 66	1	0,4	INSTAL SP 1 and INSTAL SP P
INSTAL SP WP 2 M	14 295 67	1	0,4	INSTAL SP 2

Grey

INSTAL SP WP S AD	14 295 68	1	0,4	INSTAL SP S
INSTAL SP WP 1 AD	14 295 69	1	0,4	INSTAL SP 1 and INSTAL SP P
INSTAL SP WP 2 AD	14 295 70	1	0,4	INSTAL SP 2

INSTAL SP CCMP - cable shield ceiling collar

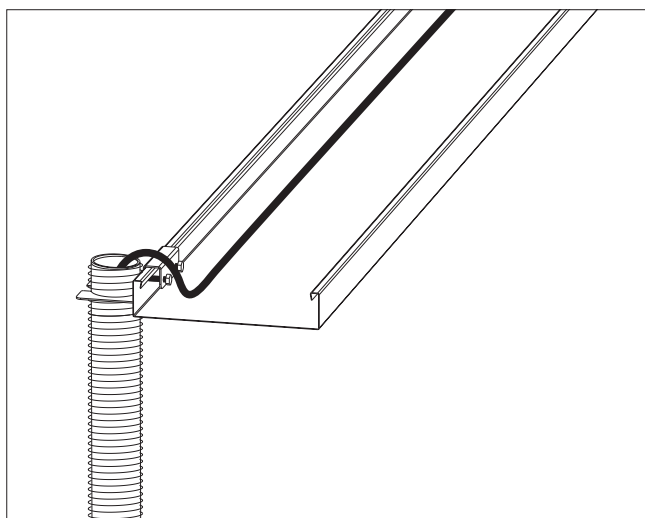
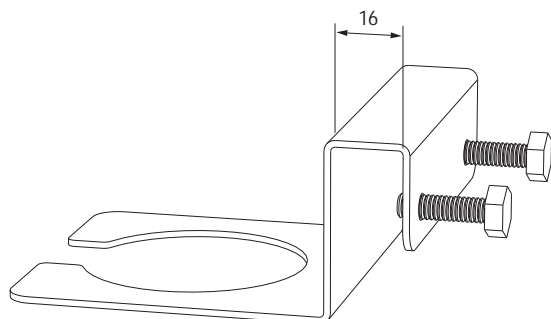


Product	SSTL number	Package pc	Weight kg/pc	Colour
---------	-------------	------------	--------------	--------

INSTAL SP CC/WP M	14 295 87	1	0,1	White
INSTAL SP CC/WP AD	14 295 88	1	0,1	Grey

ACCESSORIES

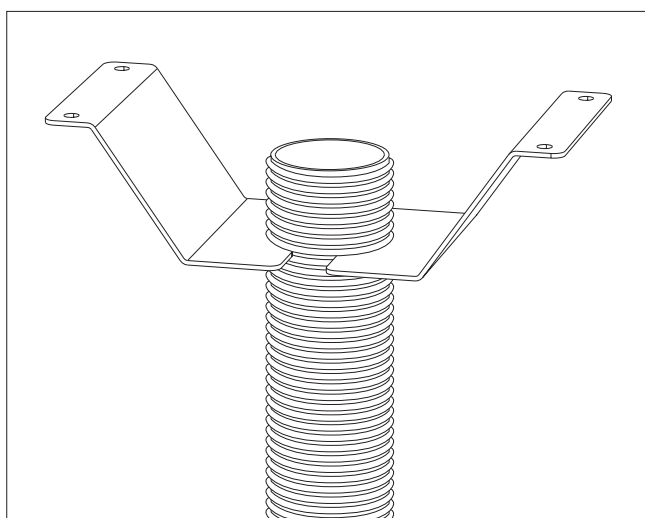
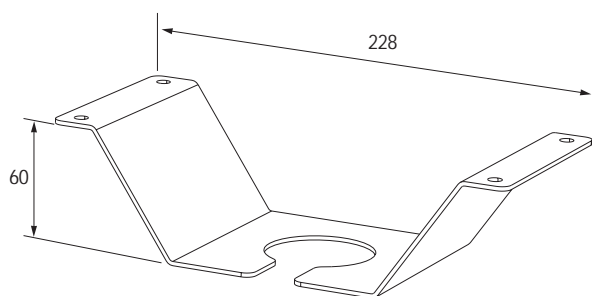
INSTAL SP LB/WP - cable shield tray fastening



Product	SSTL number	Package pc	Weight kg/pc	Colour
---------	-------------	------------	--------------	--------

INSTAL SP LB/WP M	14 295 89	1	0,1	White
INSTAL SP LB/WP AD	14 295 90	1	0,1	Grey

INSTAL SP CP/WP - cable shield ceiling fastening



Product	SSTL number	Package pc	Weight kg/pc	Colour
---------	-------------	------------	--------------	--------

INSTAL SP CP/WP M	14 295 91	1	0,1	White
INSTAL SP CP/WP AD	14 295 92	1	0,1	Grey

SOCKET POLES

INSTAL SP 1

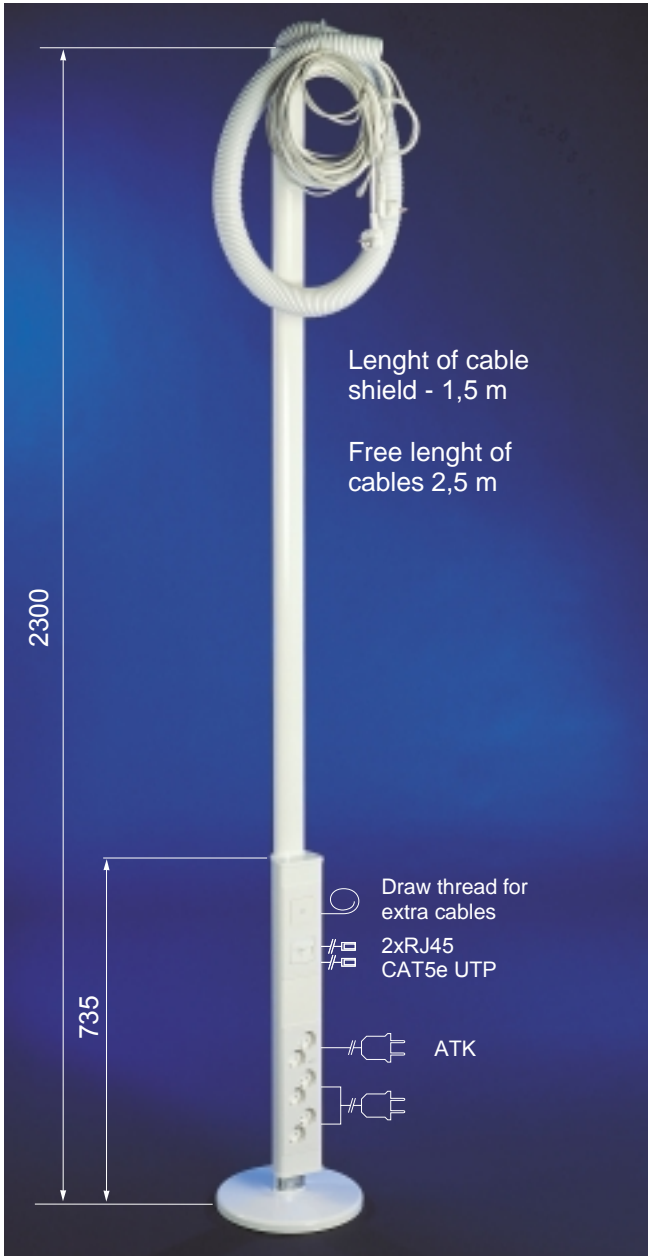
Standard 1

One-sided socket pole

INSTAL SP 1

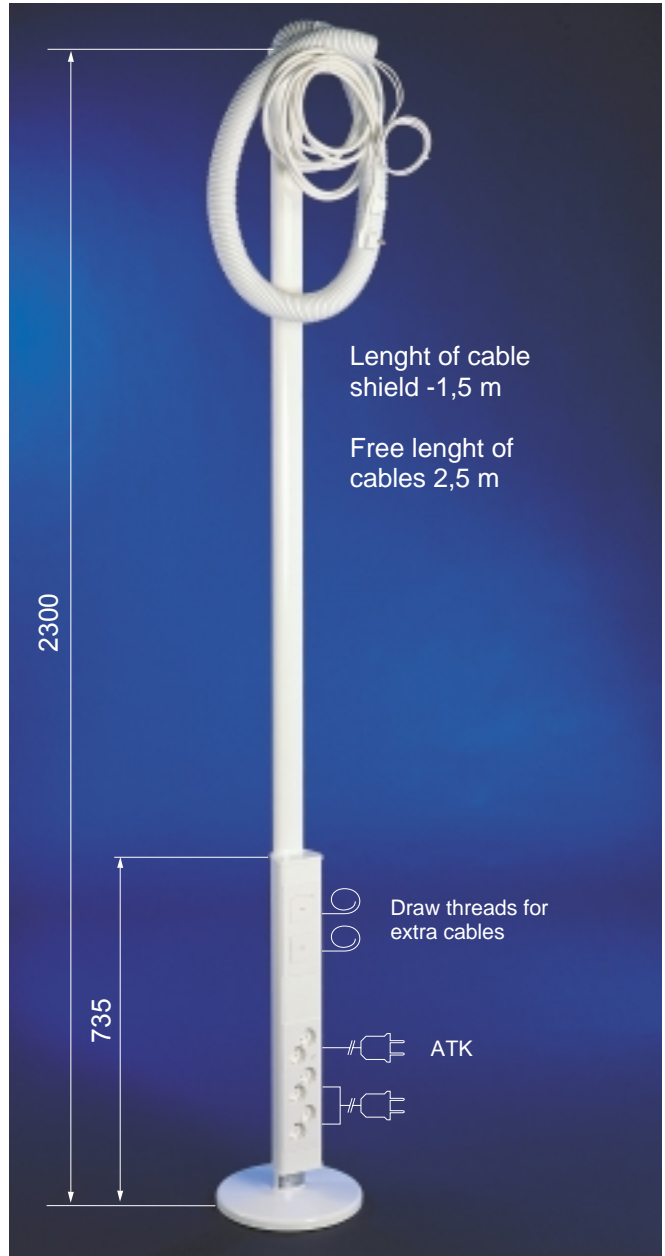
Standard 2

One-sided socket pole



Floor base should be ordered separately.

Colour - white (RAL 9010).



Floor base should be ordered separately.

Colour - white (RAL 9010).

Product	SSTL code	Product	SSTL code
INSTAL SP 1 Standard 1 pole	14 295 01	INSTAL SP 1 Standard 2 pole	14 295 02
INSTAL SP FS M floor base	14 295 35	INSTAL SP FS M floor base	14 295 35

SOCKET POLES

INSTAL SP 2

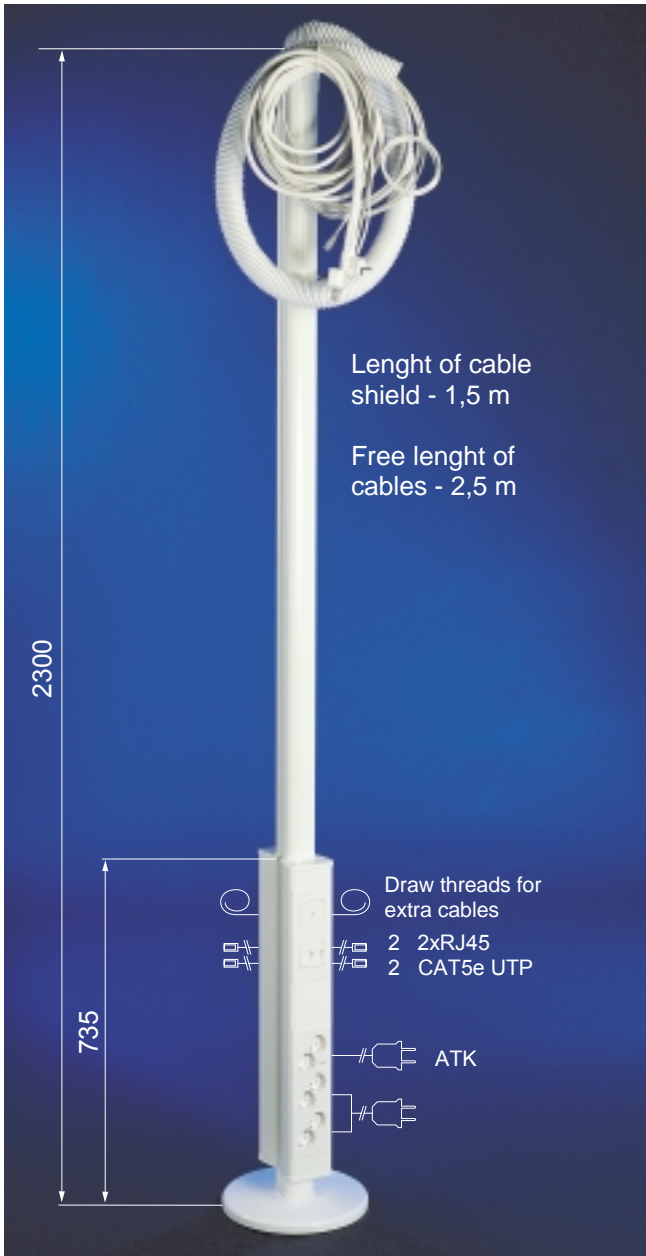
Standard 1

Two-sided socket pole

INSTAL SP 2

Standard 2

Two-sided socket pole



Two-sided socket pole.
The same fittings on both sides.

Floor base should be ordered separately.
Colour - white (RAL 9010).



Two-sided socket pole.
The same fittings on both sides.

Floor base should be ordered separately.
Colour - white (RAL 9010).

Product

SSTL code

INSTAL SP 2 Standard 1 pole
INSTAL SP FS M floor base

14 295 11
14 295 35

Product

SSTL code

INSTAL SP 2 Standard 2 pole
INSTAL SP FS M floor base

14 295 12
14 295 35

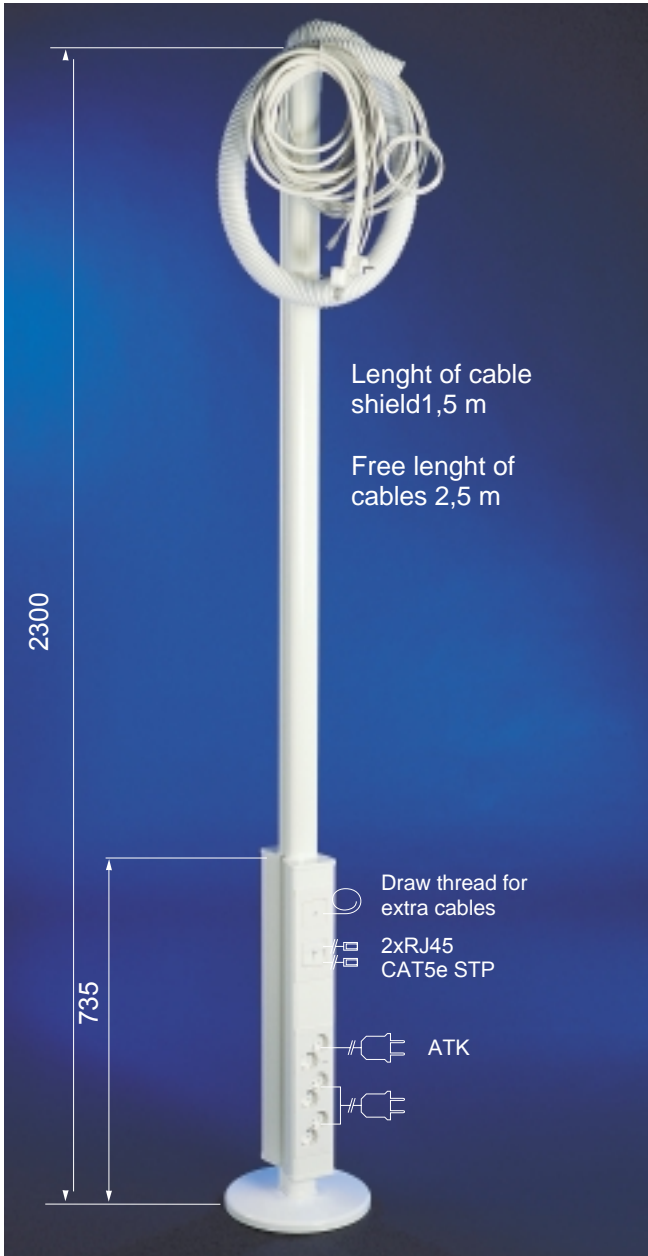
SOCKET POLES

INSTAL SP 1

Standard 3
One-sided socket pole

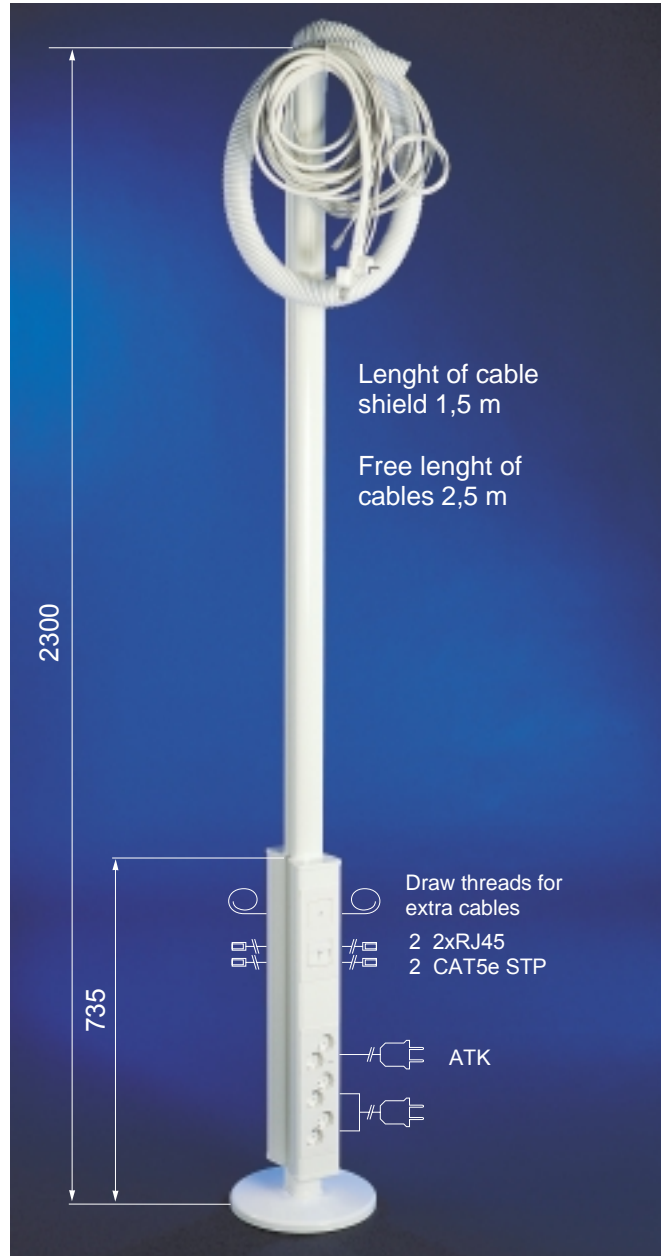
INSTAL SP 2

Standard 3
Two-sided socket pole



Floor base should be ordered separately.

Colour - white (RAL 9010).



Two-sided socket pole.
The same fittings on both sides.

Floor base should be ordered separately.
Colour - white (RAL 9010).

Product	SSTL code
---------	-----------

INSTAL SP 1 Standard 3 pole	14 295 03
INSTAL SP FS M floor base	14 295 35

Product	SSTL code
---------	-----------

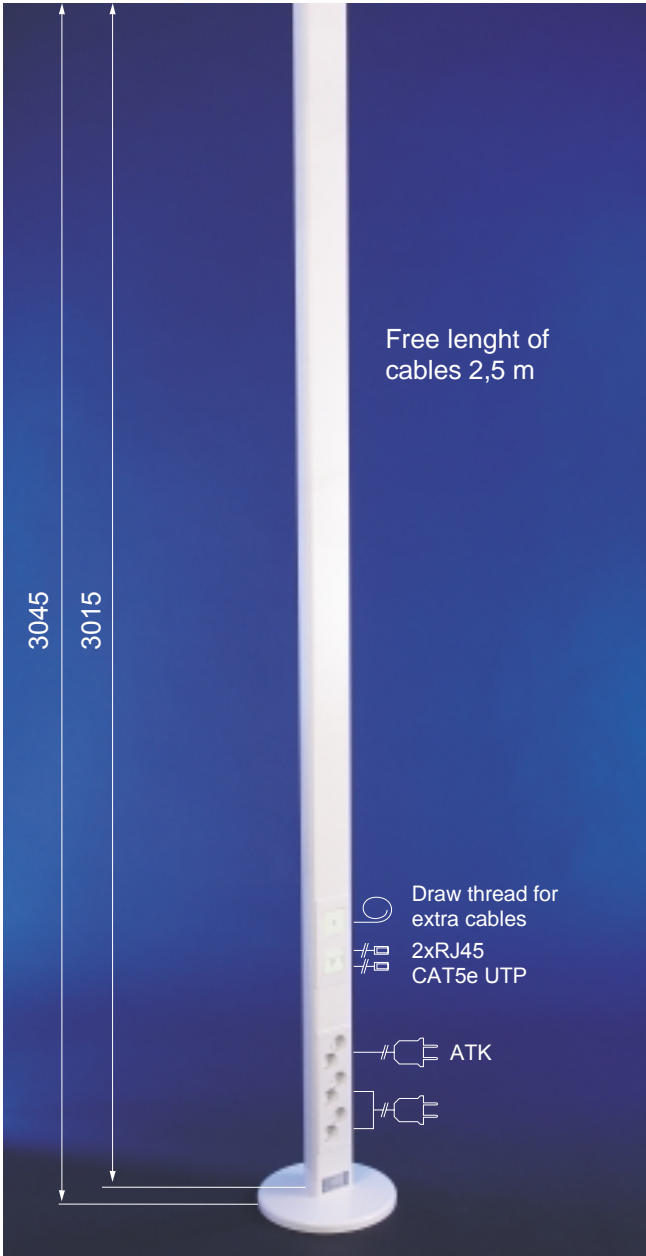
INSTAL SP 2 Standard 3 pole	14 295 13
INSTAL SP FS M floor base	14 295 35

SOCKET POLES

INSTAL SP S

Standard 1

One-sided socket pole



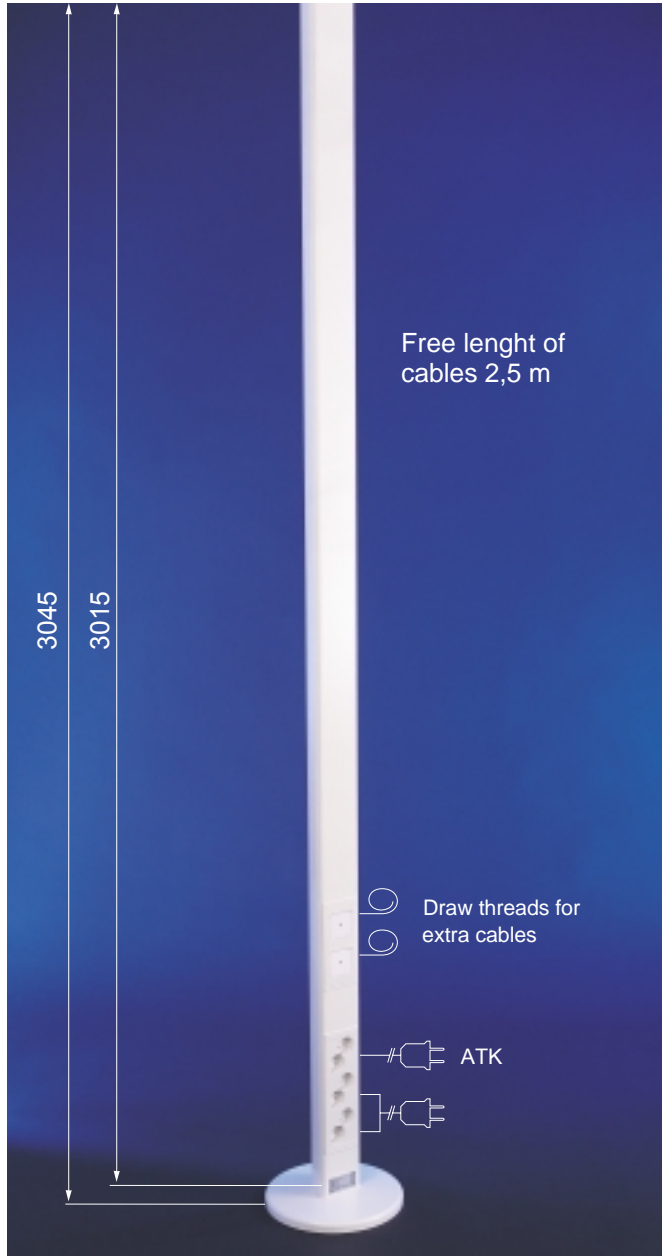
Floor base and cable shield should be ordered separately.

Colour - white (RAL 9010).

INSTAL SP S

Standard 2

One-sided socket pole



Floor base and cable shield should be ordered separately.

Colour - white (RAL 9010).

Product	SSTL code
---------	-----------

INSTAL SP S Standard 1 pole	14 295 21
INSTAL SP FS M floor base	14 295 35
INSTAL SP WP S M cable shield	14 295 65

Product	SSTL code
---------	-----------

INSTAL SP S Standard 2 pole	14 295 22
INSTAL SP FS M floor base	14 295 35
INSTAL SP WP S M cable shield	14 295 65